



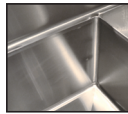
STAINLESS STEEL



# FABRICATED ECONOMY SINKS

## Three & Four Compartments

Item #: \_\_\_\_\_ Qty #: \_\_\_\_\_  
 Model #: \_\_\_\_\_  
 Project #: \_\_\_\_\_



Fabricated Bowls are Welded Together at the Seams



Rolled Rim Edge For Additional Strength

### FEATURES:

- Backsplash has tile edge for ease of installation.
- Sink bowls are 3/4" coved corner and meet NSF requirements.
- Rolled Rim Edge for additional strength.
- Sink Bowls are 14" deep for greater capacity.
- Adjustable front-to-back cross-bracing

### MATERIAL:

- 1 5/8" diameter stainless steel legs with 1" adjustable stainless steel bullet feet.
- Entire unit is 16 gauge 304 stainless steel.
- Gussets - stainless steel.

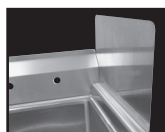
### MECHANICAL:

- Supply is 1/2" IPS hot & cold.
- Faucet holes on 8" centers.
- Faucets are not included (see accessories).
- Waste drains are 1 1/2" IPS S/S basket type, located in center of sink bowl, and are included.

### CONSTRUCTION:

- All TIG welded.
- Welded areas blended to match adjacent surfaces and to a satin finish.
- Gussets welded to a die-formed reinforced plate.

### OPTIONAL:



**K-700**  
 Removable Side Splashes  
 Fits Left OR Right Side

MODEL #	Length L	Width W	Bowl Size A & B	Drbd. Length C	# Of Drbds.	Drbd. Location	Wt		
FC-3-1515	50"	21"	15" x 15"	N/A	0	None	85 lbs.		
FC-3-1515-15RorL	62.5"			15"	1	Specify	98 lbs.		
FC-3-1515-15RL	75"			15"	2	R & L	120 lbs.		
FC-3-1524	50"	30"	15" x 24"	N/A	0	None	180 lbs.		
FC-3-1524-24RorL	71.5"			24"	1	Specify	210 lbs.		
FC-3-1524-24RL	93"			24"	2	R & L	255 lbs.		
FC-3-1620	53"	26"	16" x 20"	N/A	0	None	120 lbs.		
FC-3-1620-18RorL	68.5"			18"	1	Specify	225 lbs.		
FC-3-1620-18RL	84"			18"	2	R & L	235 lbs.		
FC-3-1620-24RL	96"			24"	2	R & L	263 lbs.		
FC-3-1620-36RL	120"			36"	2	R & L	300 lbs.		
FC-3-1818	59"	24"	18" x 18"	N/A	0	None	135 lbs.		
FC-3-1818-18RorL	74.5"			18"	1	Specify	235 lbs.		
FC-3-1818-24RorL	80.5"			24"	1	Specify	250 lbs.		
FC-3-1818-18RL	90"			18"	2	R & L	245 lbs.		
FC-3-1818-24RL	102"	24"	2	R & L	265 lbs.				
FC-3-1824	59"	30"	18" x 24"	N/A	0	None	182 lbs.		
FC-3-1824-18RorL	74.5"			18"	1	Specify	220 lbs.		
FC-3-1824-24RorL	80.5"			24"	1	Specify	230 lbs.		
FC-3-1824-18RL	90"			18"	2	R & L	265 lbs.		
FC-3-1824-24RL	102"			24"	2	R & L	270 lbs.		
†FC-3-2424	79"	30"	24" x 24"	N/A	0	None	243 lbs.		
†FC-3-2424-18RorL	92.5"			18"	1	Specify	260 lbs.		
†FC-3-2424-24RorL	98.5"			24"	1	Specify	281 lbs.		
†FC-3-2424-18RL	108"			18"	2	R & L	295 lbs.		
†FC-3-2424-24RL	120"			24"	2	R & L	315 lbs.		
FC-3-2028-24RL	108"			34"	20" x 28"	24"	2	R & L	310 lbs.
FC-3-2030-20RL	100"			36"	20" x 30"	20"	2	R & L	318 lbs.
FC-3-2030-24RL	108"					24"	2	R & L	330 lbs.
FC-3-2030-30RL	120"					30"	2	R & L	345 lbs.
†FC-3-2430	77"			36"	24" x 30"	N/A	0	None	225 lbs.
†FC-3-2430-24RorL	99"	24"	1			Specify	310 lbs.		
†FC-3-2430-24RL	120"	24"	2			R & L	345 lbs.		
†FC-3-2430-30RorL	105"	30"	1			Specify	335 lbs.		
†FC-3-2430-30RL	132"	30"	2			R & L	370 lbs.		
†FC-3-2430-36RorL	111"	36"	1			Specify	360 lbs.		
†FC-3-2430-36RL	144"	36"	2			R & L	410 lbs.		
†FC-3-3024	95"	30"	30" x 24"			N/A	0	None	225 lbs.
†FC-3-3024-24RorL	117"			24"	1	Specify	325 lbs.		
†FC-3-3024-24RL	138"			24"	2	R & L	360 lbs.		
†FC-3-3024-30RorL	123"			30"	1	Specify	350 lbs.		
†FC-3-3024-30RL	150"			30"	2	R & L	395 lbs.		
†FC-3-3024-36RorL	129"			36"	1	Specify	390 lbs.		
†FC-3-3024-36RL	162"	36"	2	R & L	425 lbs.				
†FC-3-3030	95"	36"	30" x 30"	N/A	0	None	250 lbs.		
†FC-3-3030-24RL	138"			24"	2	R & L	390 lbs.		
†FC-3-3030-30RL	150"			30"	2	R & L	435 lbs.		
†FC-3-3030-36RL	162"			36"	2	R & L	460 lbs.		
†FC-4-1818-18RL	108"	30"	18" x 18"	18"	2	R & L	280 lbs.		
†FC-4-1824-18RL	108"	30"	18" x 24"	18"	2	R & L	340 lbs.		
†FC-4-2424-24RL	144"	30"	24" x 24"	18"	2	R & L	355 lbs.		

† Requires Two Sets of Faucets



Customer Service Available To Assist You 1-800-645-3166 8:30 am - 7:00 pm E.S.T.

For Orders & Customer Service:

Email: customer@advancetabco.com or Fax: 631-242-6900

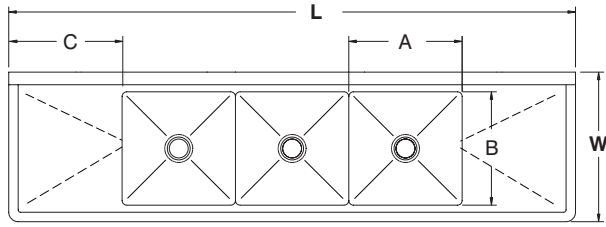
For Smart Fabrication™ Quotes:

Email: smartfab@advancetabco.com or Fax: 631-586-2933

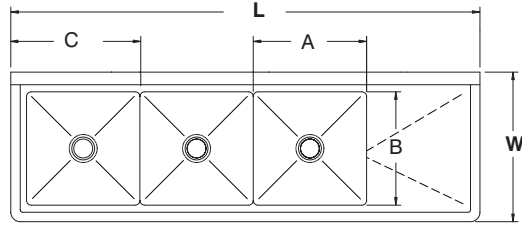
# DIMENSIONS and SPECIFICATIONS

TOL Overall: ± .500"  
Interior: ± .250"

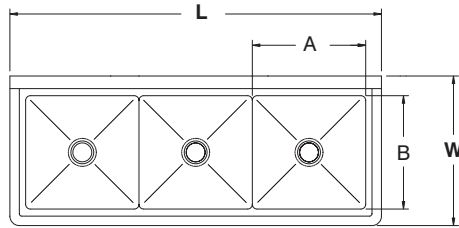
ALL DIMENSIONS ARE TYPICAL



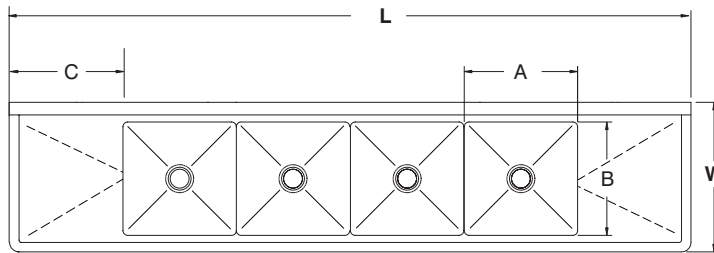
**3 COMP - 2 DRBD**



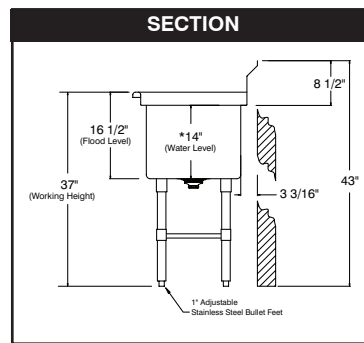
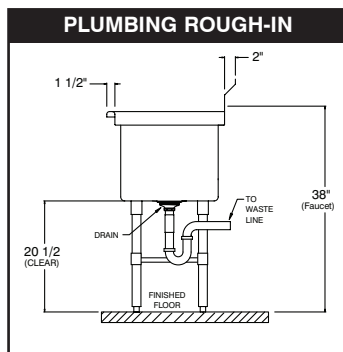
**3 COMP - 1 DRBD**



**3 COMP**



**4 COMP - 2 DRBD**



**ACCESSORIES**

	Model #	Qty
DRAINS		
FAUCETS		

**OPTIONAL MODIFICATIONS:**

<b>K-450</b>	Extend Drainboard Length <i>(Drainboards over 36" Are Not Creased or Pitched.)</i>
<b>K-470</b>	Modify Bowl Depth

[See our full line of Modifications & Accessories on the web!](#)

